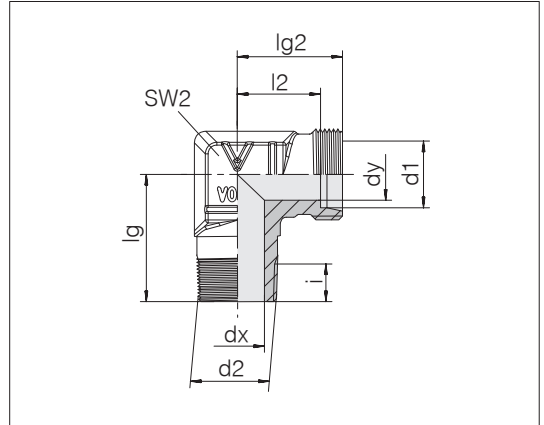


# Male stud elbows

Male thread: Metric fine thread, tapered  
 Threaded stud: DIN 3852-1 Form C  
 Sealing type: Tapered thread  
 Sealing material: e.g. PTFE sealing tape

Tube coupling: 24° in acc. with ISO 8434-1



Series	d2	Pressure	dx	dy	lg	lg2	l2	SW2	i	kg/100 ca.	Order-No.	Designation
Tube OD d1												
LL 4	M 6 x 1 keg	PN 100	2.5	3	17	15	11	9	6	1.0	0713012000	24-SDE-LL4-M6T
LL 4	M 8 x 1 keg	PN 100	3.5	3	17	15	11	9	6	0.9	0713002000	24-SDE-LL4-M8T <sup>1)</sup>
LL 5	M 8 x 1 keg	PN 100	3.5	3.5	17	15	9.5	11	6	1.7	0713052000	24-SDE-LL5-M8T-P
LL 6	M 6 x 1 keg	PN 100	2.3	4.5	17	15	9.5	11	6	1.5	0713962000	24-SDE-LL6-M6T-P
LL 6	M 8 x 1 keg	PN 100	3.5	4.5	17	15	9.5	11	6	1.6	0713112000	24-SDE-LL6-M8T-P
LL 6	M 10 x 1 keg	PN 100	4.5	4.5	17	15	9.5	11	6	1.7	0713102000	24-SDE-LL6-M10T-P <sup>1)</sup>
LL 8	M 10 x 1 keg	PN 100	6	6	20	17	11.5	12	6	2.2	0713152000	24-SDE-LL8-M10T-P <sup>1)</sup>
L 6	M 10 x 1 keg	PN 315	4	4	20	19	12	12	9	2.9	0714002000	24-SDE-L6-M10T-P <sup>1)</sup>
L 8	M 12 x 1.5 keg	PN 315	6	6	26	21	14	14	9	4.3	0714052000	24-SDE-L8-M12T-P <sup>1)</sup>
L 10	M 14 x 1.5 keg	PN 315	7	8	27	22	15	17	12	6.2	0714102000	24-SDE-L10-M14T-P <sup>1)</sup>
L 12	M 16 x 1.5 keg	PN 315	9	10	28	24	17	19	12	8.5	0714152000	24-SDE-L12-M16T <sup>1)</sup>
L 12	M 18 x 1.5 keg	PN 315	11	10	32	28	21	19	9	8.2	0714172000	24-SDE-L12-M18T <sup>1)</sup>
L 15	M 18 x 1.5 keg	PN 315	11	12	32	28	21	19	12	8.3	0714202000	24-SDE-L15-M18T <sup>1)</sup>
L 18	M 22 x 1.5 keg	PN 315	14	15	36	31	23.5	24	11	13.0	0714252000	24-SDE-L18-M22T <sup>1)</sup>
S 6	M 12 x 1.5 keg	PB 630	4	4	26	23	16	12	12	5.2	0714502000	24-SDE-S6-M12T <sup>1)</sup>
S 8	M 14 x 1.5 keg	PB 630	5	5	27	24	17	17	9	7.4	0714552000	24-SDE-S8-M14T-P <sup>1)</sup>
S 10	M 16 x 1.5 keg	PB 630	7	7	28	25	17.5	19	9	10.1	0714602000	24-SDE-S10-M16T-P <sup>1)</sup>
S 12	M 18 x 1.5 keg	PB 630	8	8	28	29	21.5	22	9	12.9	0714652000	24-SDE-S12-M18T-P <sup>1)</sup>
S 14	M 20 x 1.5 keg	PB 630	10	10	32	30	22	19	11	10.4	0714702000	24-SDE-S14-M20T <sup>1)</sup>
S 16	M 22 x 1.5 keg	PB 400	12	12	32	33	24.5	24	11	14.5	0714752000	24-SDE-S16-M22T <sup>1)</sup>

<sup>1)</sup> Standard size

Threaded stud in acc. with DIN 3852-1 Form C are approved for use for gas supply in accordance with DIN 3387-1.

Operating pressure PB 630 only applies if holes with female conical threads are available.

Example for comp. : WE06LMX DIN 2353-FL6-St

